

Assembly Instructions: Benches, Chairs, Swings



Tools required:

- A hammer (to tap in fastenings before tightening)
- A regular flat head screwdriver
- Pliers or small adjustable wrench (to hold nut when tightening)

If you have a ratchet set it makes the process much easier (simply use the ratchet to tighten each lock nut while holding the bolt stationary with a screwdriver).

Fastening:

- (a) 2 1/2 inch stove bolts with lock nuts and washers (8 each included)
- (b) 4 inch lag screw (4 included)
- (c) 1/2 inch wood plugs (12 included to insert into all exterior holes)

We recommend the use of any household glue to hold the plugs permanently in the countersunk holes.

Note: We use lock nuts and long lag screws to insure everlasting life for the joints. When attaching the nuts to the bolts, be sure to tighten them so that the bolt goes through the nylon insert in the nut.

Assembly Steps:

- I. Locate the four components:
 1. The seat
 2. The back
 3. The left arm/leg section
 4. The right arm/leg section

Attaching the seat:

II. Locate the front of the seat section. The front slat will extend beyond the edge of the front frame board. The back slat of the seat and the back frame board will be completely flush. (Our silver logo tag is attached to the back of the seat.)

III. Attach the front of the seat section to the right arm/leg section by inserting 2 (a) bolts through the front leg and through the two holes in the front of the seat section. Slide a washer onto each bolt, then follow with a nut. Tighten. Repeat the same process with the left arm/leg section.

IV. Attach the back of the seat section to the right arm/leg section by inserting 2 (a) bolts through the back leg and through the two holes in the back of the seat section. Slide a washer onto each bolt, then follow with a nut. Tighten. Repeat the same process with the left arm/leg section.

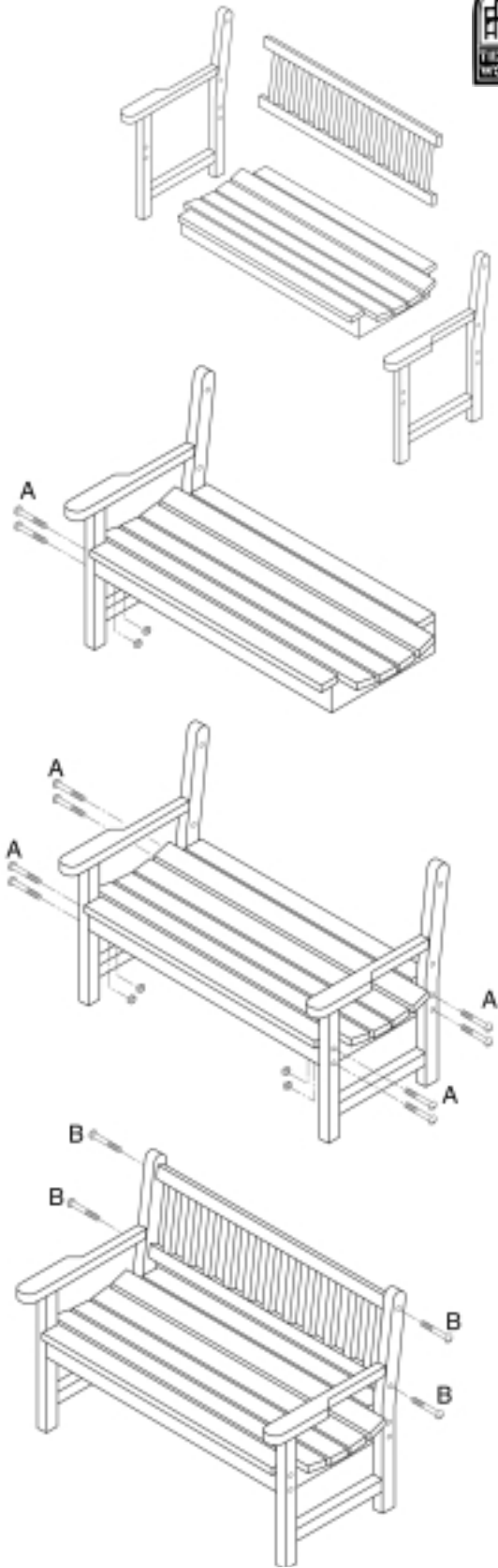
Attaching the back:

V. Insert the back section between the top of the left and right back legs.

VI. Attach the top of the back section to the right arm/leg section by inserting (b) screw through the hole at the top of the arm/leg section and through the hole on the side of the top of the back section. Tap with a hammer until the lag screw is nearly flush with the side. Tighten. Attach the top of the back section to the left arm/leg section by repeating the same process.

VII. Attach the bottom of the back section to the right arm/leg section by inserting (b) screw through the hole located approximately 10 inches below the top hole on the arm/leg section and through the hole on the side of the bottom of the back section. Tap with a hammer until the lag screw is nearly flush with the side. Tighten. Attach the bottom of the back section to the left arm/leg section by repeating the same process.

Caring for your cedar: We think there is no finer wood for exterior use than cedar. The reason cedar ages so well is that it has the ability to retain moisture. In the absence of moisture, the wood may develop what appears to be a split, or "check." This type of hairline crack poses no threat to the integrity or longevity of the piece, and only adds to its charm and character. Please see the reverse side of these instructions or our website, www.tidewaterworkshop.com, for more information.



The countersunk holes (the larger side) face outward. Screws and bolts must go all the way in, so plugs fit flush (even) with wood.